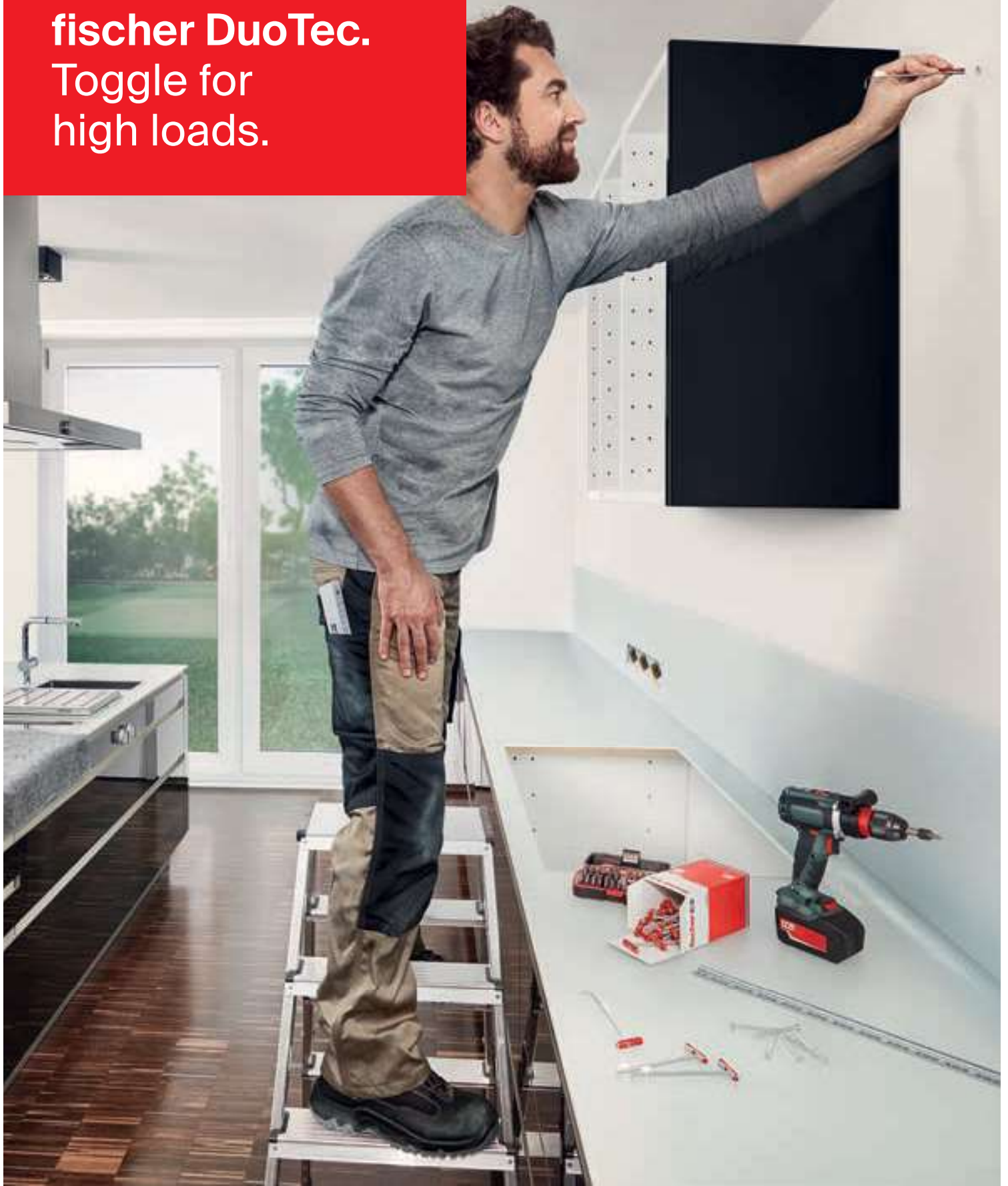


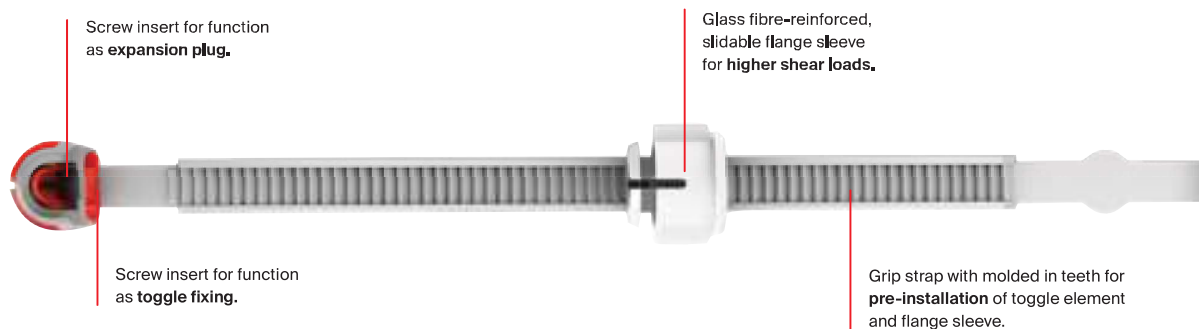
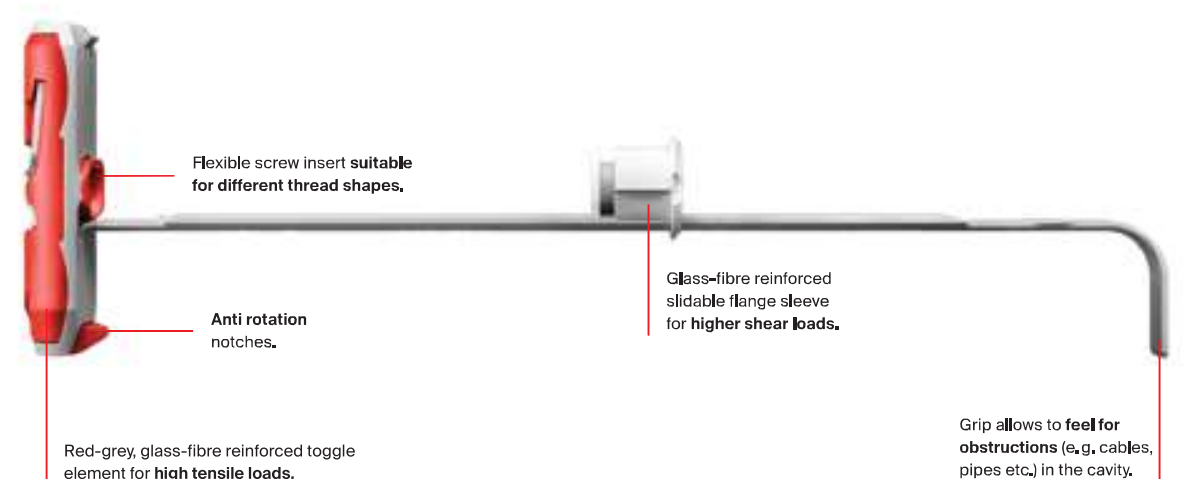
fischer 

fischer DuoTec.
Toggle for
high loads.



fischer DuoTec 10.

Toggle for high loads in gypsum plasterboard.

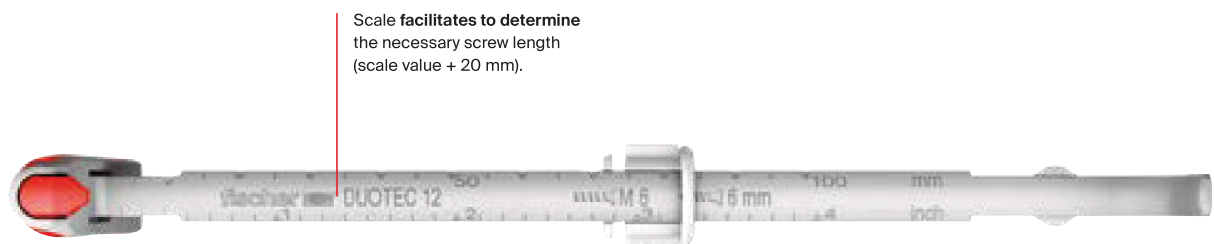
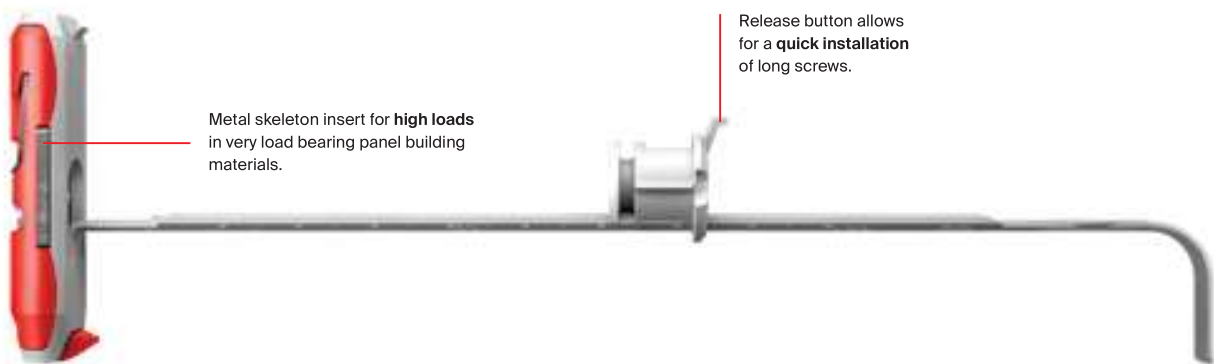


Your advantages at a glance

- Flexible screw mount allows for the use of screws and hooks with different thread shapes.
- Glass-fibre reinforced plastic and a metal skeleton insert (fischer DuoTec 12) allow the toggle to handle heavy tensile and shear loads in all panel building materials.
- Soft grey nylon contact surface distributes the load over the panel surface, thereby minimising weakening of the supporting building material.
- Standard drill hole diameters and short tilting element for easy installation in narrow cavities, including cavities with insulation.
- White flush sleeve with snap function allows the plug to be pre-installed quickly and securely in the drill hole.

fischer DuoTec 12.

Toggle with metal reinforcement for high loads in all panel building materials.



Functioning

- The fischer DuoTec is designed for pre-positioned installation.
- Simple installation with a standard diameter 10 or 12 mm drill bit.
- The short toggle element makes it suitable for narrow and even with mineral wool insulated cavities. Note the length of the toggle element!
- Functions like an expansion plug in solid building materials such as concrete or wood. Note, not with metric screws!
- Flexible screw insert allows for the use of wood, chipboard and metric screws and hooks.

Features



Building materials and assembly.

Recommendation

Suitable for panel and perforated building materials, such as:



Plasterboard and Gypsum fibreboard



Wooden boards (e.g. OSB, chipboard, MDF and plywood boards)



Steel plates



Hollow blocks made from concrete

Also suitable for drill holes hitting solid materials, such as:

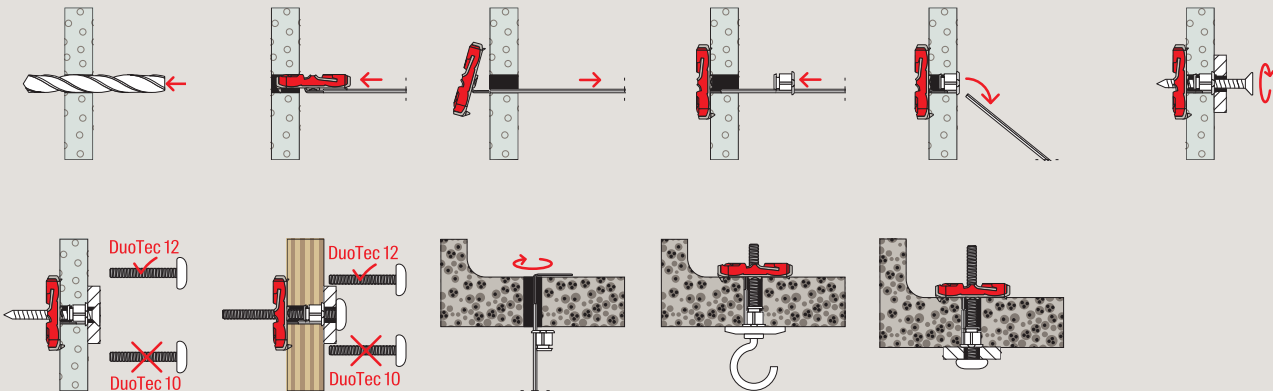


Concrete

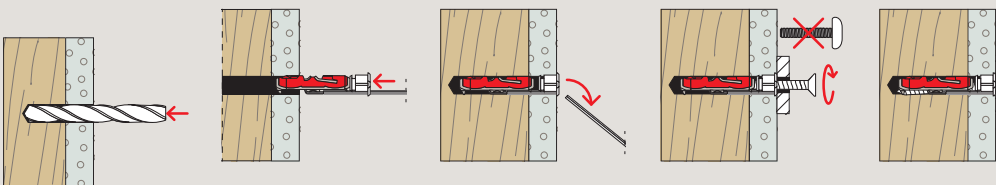


Wood

Installation of the fischer DuoTec in panel building materials and cavities



Installation of the fischer DuoTec in solid building materials



Applications



Kitchen cabinets



Wall cabinets



Washbasins



Handrails



Wardrobes



Radiators



Lamps



Mirrors



Shelves



Pictures

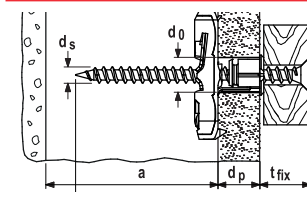


TV consoles



Hanging baskets

Range



Technical data

fischer DuoTec for board materials

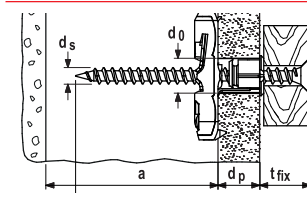
Item	Art.-No.	Drill hole diameter	Min. panel thickness	Max. panel thickness	Min. cavity depth	Screw diameter	Screw length	Sales unit
Description	Galvanised Steel gvz	d_0 [mm]	d_p [mm]	d_p [mm]	a [mm]	d_s	l_s [mm]	[pcs.]
fischer DuoTec 10	537258	10	9,5	55	40	4,5 - 5	$\geq d_p + t_{fix} + 20$	50
fischer DuoTec 10 S	537259 ¹⁾	10	9,5	55	40	5	70	25
fischer DuoTec 10 S PH	539025 ²⁾	10	9,5	55	40	5	70	25
fischer DuoTec 12	542796	12	9,5	55	50	5 - 6 / M6	$\geq d_p + t_{fix} + 20$	10
fischer DuoTec 12 S PH	542797 ³⁾	12	9,5	55	50	M6	70	10
fischer DuoTec 12 RH	542798 ⁴⁾	12	9,5	55	50	5,5	55	10

¹⁾ fischer DuoTec S – with chipboard screw countersunk head

²⁾ fischer DuoTec S PH – with chipboard screw panhead

³⁾ fischer DuoTec S PH – with machine screw panhead

⁴⁾ fischer DuoTec RH – with screw with round hook



fischer DuoTec for solid materials

Item	Art.-No.	Drill hole diameter	Min. drill hole depth	Screw diameter	Screw length	Anchor length	Max. fixture thickness	Sales unit
Description	gvz	d_0 [mm]	h_1 [mm]	d_s [mm]	l_s [mm]	l	t_{fix} [mm]	[pcs.]
fischer DuoTec 10	537258	10	$l_s + 10$	4,5 - 5	$\geq t_{fix} + 60$	50	$l_s - 60$	50
fischer DuoTec 10 S	537259	10	80	5	70	50	10	25
fischer DuoTec 10 S PH	539025	10	80	5	70	50	10	25
fischer DuoTec 12	542796	12	80	5 - 6 / M6	$\geq t_{fix} + 70$	58	$l_s - 70$	10
fischer DuoTec 12 S PH	542797	-	-	-	-	-	-	10
fischer DuoTec 12 RH	542798	12	80	5,5	55	58	-	10

¹⁾ Installation with panhead screws in solid construction materials not possible.

Loads

Nylon toggle DuoTec

Recommended loads^{1) 2)} for a single anchor.

Type	Screw diameter [mm]	DuoTec 10				DuoTec 12			
		Chipboard screws		Metrical screw	fischer Hook	Chipboard screws		Metrical screw	fischer Hook
Screw diameter	[mm]	4.5	5.0	5.0	5.0	5.0	6.0	6.0	5.5
Recommended loads in the respective base material $F_{nc}^{3)}$ for a span in the construction $b = 625$ mm									
Gypsum plasterboard	9.5 mm	[kN]	0.17	0.17	0.17	0.17	0.17	0.17	0.17
Gypsum plasterboard	12.5 mm	[kN]	0.20	0.20	0.20	0.20	0.20	0.20	0.20
Gypsum plasterboard	2 x 12.5 mm	[kN]	0.43	0.43	0.43	0.30 ⁴⁾	0.43	0.43	0.43
Gypsum fibreboard	12.5 mm	[kN]	0.51	0.51	0.51	0.30 ⁴⁾	0.51	0.51	0.50 ⁴⁾
Chipboard	16 mm	[kN]	0.71	0.71	0.71	0.30 ⁴⁾	0.75	0.80	0.50 ⁴⁾
OSB board	18 mm	[kN]	0.75	0.75	0.75	0.30 ⁴⁾	0.75	1.30	0.50 ⁴⁾
Recommended loads in the respective base material $F_{nc}^{3)}$ for a span in the construction $b = 120$ mm									
Gypsum plasterboard	9.5 mm	[kN]	0.20	0.20	0.20	0.20	0.20	0.20	0.20
Gypsum plasterboard	12.5 mm	[kN]	0.36	0.36	0.36	0.30 ⁴⁾	0.36	0.36	0.20
Gypsum plasterboard	2 x 12.5 mm	[kN]	0.59	0.59	0.59	0.30 ⁴⁾	0.70	0.80	0.50 ⁴⁾
Gypsum fibreboard	12.5 mm	[kN]	0.75	0.75	0.75	0.30 ⁴⁾	0.80	1.10	0.50 ⁴⁾
Chipboard	16 mm	[kN]	0.75	0.75	0.75	0.30 ⁴⁾	0.80	1.40	0.50 ⁴⁾
OSB board	18 mm	[kN]	0.75	0.75	0.75	0.30 ⁴⁾	0.80	1.50	0.50 ⁴⁾
Recommended loads in solid building materials $F_{nc}^{3)}$									
Concrete	$\geq C20/25$	[kN]	0.45	0.75	-	0.30 ⁴⁾	0.40	0.75	-
Wood		[kN]	0.30	0.75	-	0.30 ⁴⁾	0.20	0.65	-
Recommended loads in the respective base material $F_{nc}^{3)}$									
Hollow block of lightweight aggregate concrete ,Sepa Parpaing'	$f_c \geq 8$ N/mm ²	[kN]	-	-	-	-	0.65	1.00	1.00
Pre-stressed hollow-core concrete slabs		[kN]	-	-	-	-	1.00	1.40	1.30
Lightweight concrete hollow block Hbl acc. to EN 771-3	$f_c \geq 2$ N/mm ²	[kN]	-	-	-	-	0.90	1.00	1.00

¹⁾ Required safety factors are considered.

²⁾ The recommended loads are reference values and depending to the building material and the workmanship. The values are only valid for the given screw diameter.

³⁾ Valid for tensile load, shear load and oblique load under any angle.

⁴⁾ Bending of the hook is decisive. Only for tension load.

Dealer:

www.fischer-international.com



fischer stands for

Fixing Systems
Automotive
fischertechnik
Consulting
Electronic Solutions

fischerwerke GmbH & Co. KG
Klaus-Fischer-Straße 1 · 72178 Waldachtal
Germany
T +49 7443 12 - 0
www.fischer-international.com · info@fischer.de
